

1) Power green, 2) LED yellow for Signal 1 (NO), 3) Slot numbering



### Basic features

|                            |                                     |
|----------------------------|-------------------------------------|
| <b>Approval/Conformity</b> | CE<br>UKCA<br>cULus<br>WEEE         |
| <b>Scope of delivery</b>   | Part labels (24x)<br>Cover cap (2x) |

### Display/Operation

|                                   |                 |
|-----------------------------------|-----------------|
| <b>Power indicator</b>            | Green LED       |
| <b>Switching function display</b> | Yellow LED (4x) |

### Electrical connection

|  |  |
|--|--|
| <b>Bending radius min., fixed cable</b>    | 7.5 x D                                    |
| <b>Bending radius min., flexible cable</b> | 15 x D                                     |
| <b>Cable</b>                               | PUR black, 5 m, drag chain compatible      |
| <b>Cable diameter D</b>                    | 7.45 mm ±0.2 mm                            |
| <b>Cable, bending cycles min.</b>          | 2 mil.                                     |
| <b>Conductor cross-section</b>             | 0.34 mm <sup>2</sup> + 1.0 mm <sup>2</sup> |
| <b>Connection slots</b>                    | 4x M12x1-Female, 4-pin                     |
| <b>Number of conductors</b>                | 7  |

### Electrical data

|                                      |             |
|--------------------------------------|-------------|
| <b>Isolation resistance</b>          | ≥ 10 GOhm   |
| <b>Operating voltage Ub</b>          | 10...30 VDC |
| <b>Output current max.</b>           | 4 A         |
| <b>Rated operating voltage Ue DC</b> | 24 V        |
| <b>Total current max.</b>            | 8 A         |

### Environmental conditions

|  |                        |
|--|------------------------|
| <b>Cable temperature, fixed routing</b>    | -40...80 °C            |
| <b>Cable temperature, flexible routing</b> | -20...80 °C            |
| <b>IP rating</b>                           | IP67, when threaded in |

### Interface

|                         |                        |
|-------------------------|------------------------|
| <b>Switching output</b> | PNP normally open (NO) |
|-------------------------|------------------------|

### Material

|                                 |                              |
|---------------------------------|------------------------------|
| <b>Cable jacket, material</b>   | PUR                          |
| <b>Housing material</b>         | PBT, GF                      |
| <b>Material contact carrier</b> | PBT                          |
| <b>Material contacts</b>        | Bronze (CuSn6), nickel layer |

### Mechanical data

|  |                                 |
|--|---------------------------------|
| <b>Acceleration max., drag chain</b>           | 10 m/s <sup>2</sup>             |
| <b>Cable jacket, color</b>                     | black                           |
| <b>Cable length L</b>                          | 5.00 m                          |
| <b>Cable properties</b>                        | drag chain compatible           |
| <b>Casting</b>                                 | yes                             |
| <b>Dimension</b>                               | 105 x 58 x 25 mm                |
| <b>Horizontal travel permitted, drag chain</b> | 10 m at 10 m/s <sup>2</sup>     |
| <b>Mounting part</b>                           | M4 (3x)                         |
| <b>Tightening torque</b>                       | 1.2 Nm ±0.2 (M4)                |
| <b>Tightening torque pigtail</b>               | 0.6 Nm + 0.1 Nm (M12 connector) |
| <b>Traverse speed max., drag chain</b>         | 3 m/s                           |

## Junction blocks

**BPI 4M4A4P-2K-B0-KPX70-050**

**Order Code: BPI009R**

# BALLUFF

### Remarks

Cable construction acc. to UL-AWM Style 20549/10493

Flame resistance per IEC 60332-1-2

Flame resistance per UL 758/1581 FT2

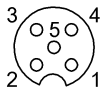
Halogen-free per DIN VDE 0472 Part 815

Halogen-free acc. to IEC 60754-1

Oil resistant per DIN EN 60811-404 (VDE 0473-811-404)

Enclosure rating per IEC 60529, only in screwed state with the associated mating piece.

### Connector Drawings



#### I/O ports

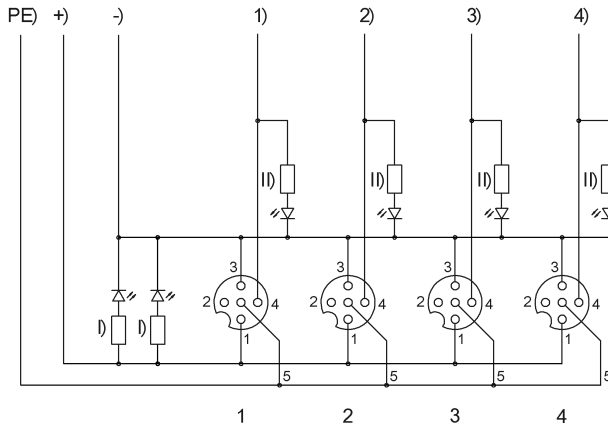
PIN 1: +24V

PIN 3: 0V

PIN 4: Normally open

PIN 5: PE

## Wiring Diagrams



-) blue 1.00 mm<sup>2</sup>

+) brown 1.00 mm<sup>2</sup>

1) white

2) green

3) yellow

4) gray

I) LED green

II) LED yellow

PE) green/yellow 1.00 mm<sup>2</sup>